

oilon®

Oilon Plus

Filter and De-aerator Unit



Modern Oil Heating



Oilon Plus de-aerator makes it possible to use environmentally safe one-pipe system between the oil tank and the burner. Oilon Plus saves the burner and decreases the need for cleaning and maintenance.

Oilon Plus de-aerator reduces burner faults caused by air bubbles and dirt particles coming from the tank or pipeline. One-pipe system is highly recommended between the tank and the burner. Oil flow is nice and steady in one-pipe system since only the amount that is needed for burning is sucked from the tank. Oil circulates between the de-aerator and the pump and it is not returned to tank as in two-pipe system.

Oilon Plus prevents unnecessary breakdowns

Oilon Plus de-aerator is equipped with a very effective 20 µm Spin-on filter. It has a large filtration area and it filters effectively all particles that could disturb the burner operation. Vacuum gauge with green/red colour areas indicates of the need to change the filter. When indicator is on the red area it is necessary to change the filter. After filter the oil flows into de-aerator which removes air and gas bubbles from it. De-aeration is important for burners' trouble-free operation. Oilon Plus helps to avoid overflow, caused by big return oil quantity in full filled serial connected tanks.



Oilon Plus is equipped with vacuum gauge and shut-off valve. When vacuum gauge indicator is on the red area, the filter has to be changed.

Easy installation

Oilon Plus de-aerator is easy to install for both new and old oil heating premises. In old oil heating premises with two-pipe system only the return line is blocked and Oilon Plus is connected to the inlet line. In new installations only one pipe is needed between the tank and the Oilon Plus. If there is no non-siphon function in valve group, the oil pipe which comes from the tank shall be equipped with non-siphon valve

Oilon Plus de-aerator fits for burners with max. capacity less than 70 kg/h or 830 kW, like for example Oilon burners: Junior, KP-6...-50 H, which oil pumps max. flow does not exceed 230 l/h.



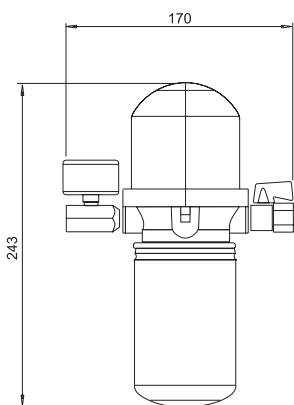


Double Plus, Filter and De-aerator for high capacity burners

Double Plus has been developed for bigger premises and industrial use. There are two de-aerators in Double Plus, which enable perfect fitting for burners with max. capacity less than 130 kg/h or 1530 kW and oil pump max flow 400 l/h, like for example Oilon burners: KP-80H and KP-90 H. This device has 70 µm paper filter, which guarantees effective filtration.

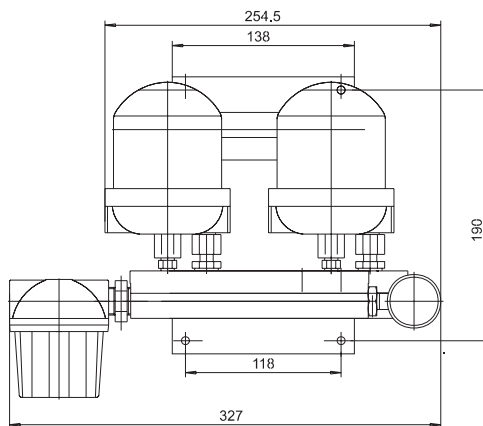


Oilon Plus

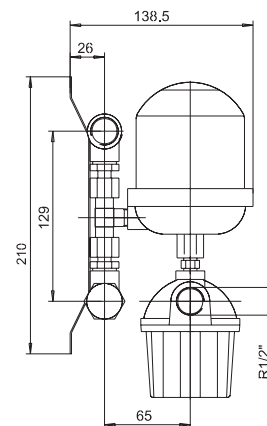


Connections: R $\frac{1}{4}$ " female thread

Oilon DoublePlus:

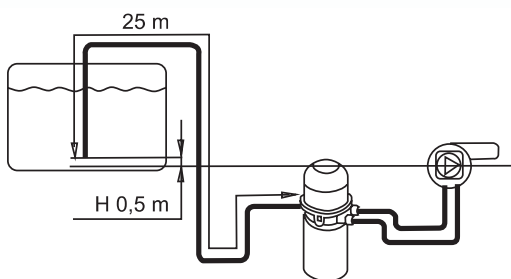


Connections: R $\frac{1}{2}$ " female thread



Benefits of Oilon Plus:

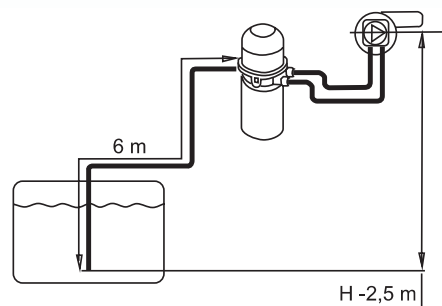
- no need for oil return pipe
- simple installation
- environmental risk by return oil is avoided
- silent operation
- reduces need to clean or service the burner
- cleaner combustion
- better efficiency
- lower oil consumption
- reduces burner faults caused by oil impurities
- prevents problems caused by cold oil
- improves start-up and shut-down
- prevents after operation dripping from the nozzle
- improves burner reliability
- informs about the need of filter change



*	Ø4	Ø5	Ø4	Ø5	Ø6	Ø5	Ø6	Ø6	Ø8
**	***	***	***	***	***	***	***	***	***
	**	**	**	**	**	**	**	**	**
+4,0	100	100	51	100	100	62	100	43	100
+3,5	95	100	47	100	100	58	100	40	100
+3,0	89	100	44	100	100	54	100	38	100
+2,5	83	100	41	100	100	51	100	35	100
+2,0	77	100	38	94	100	47	97	33	100
+1,5	71	100	35	86	100	43	90	30	94
+1,0	64	100	32	79	100	39	82	27	86
+0,5	58	100	29	71	100	35	74	24	78
	2,5 kg/h		5,0 kg/h		10 kg/h		20 kg/h		

Suction length for light oil 6,0 mm²/s (cSt) (DIN 51603-1) when tank is above the burner.

* height (m) ** Max pipe length (m) *** inner. (mm)



*	Ø4	Ø5	Ø4	Ø5	Ø6	Ø5	Ø6	Ø6	Ø8
**	***	***	***	***	***	***	***	***	***
	**	**	**	**	**	**	**	**	**
0,0	52	100	26	63	100	32	66	22	70
-0,5	46	100	23	56	100	28	58	19	61
-1,0	40	97	20	48	100	24	50	16	53
-1,5	33	81	17	41	84	20	42	14	45
-2,0	27	66	14	33	69	17	34	11	36
-2,5	21	51	10	26	53	13	27	8	28
-3,0	15	36	7	18	37	9	19	6	19
-3,5	9	21	4	11	22	5	11	3	11
-4,0	2	6	1	3	6	1	3	1	6
	2,5 kg/h		5,0 kg/h		10 kg/h		20 kg/h		

Suction length for light oil 6,0 mm²/s (cSt) (DIN 51603-1) when tank is below the burner.

OILON OY
P.O.Box 5, FIN-15801 LAHTI, FINLAND
Metsä-Pietilänkatu 1, PL 5, 15801 LAHTI
Tel. +358 3 85 761, Fax. +358 3 857 6239
info@oilon.com

oilon